

8570 Offset Timber Entrance Pull Handles



Advantages at a glance

- 316 Marine Grade Stainless Steel
- Designed with your project's needs in mind
- High durability with concealed fixings
- Standard finishes: SSS and PSS
- Powdercoat and custom finishes available on request



AS1428 Compliant

dormakaba's Offset Timber Entrance Pull Handles crafted with precision and excellence in mind, these handles are designed to elevate your space with their superior quality and attention to detail.

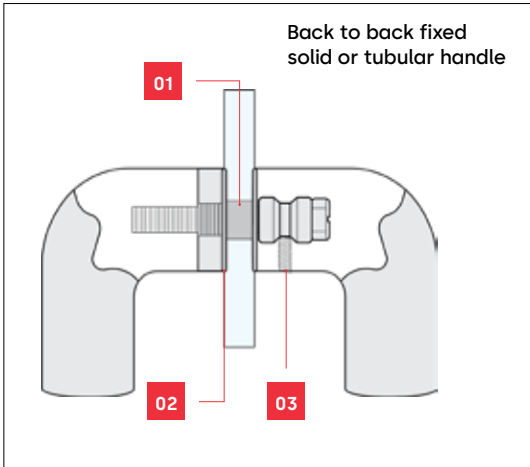
Crafted from durable 316 Marine Grade Stainless Steel complemented by timber sections, our handles offer a natural, warm feel and effortless usability. Upholding dormakaba's dedication to sustainability, the timber utilized in our entrance handles is responsibly sourced Victorian Ash certified by FSC. Furthermore, all metals employed can be recycled at the conclusion of the product's lifespan, aligning with our commitment to environmental stewardship.

The 8570 entrance pull handles are ideal for a variety of settings, from residential to commercial, these handles are versatile enough to be installed on glass, timber, and aluminium doors.

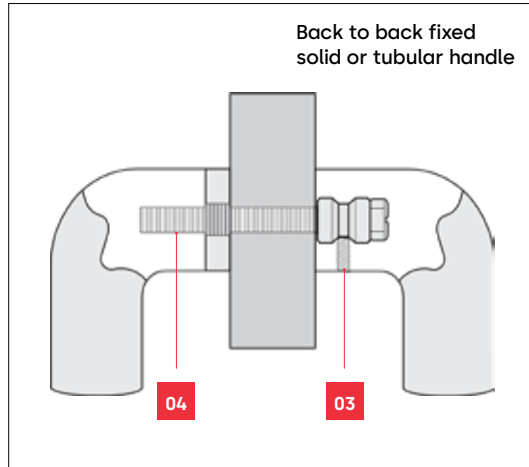
Refer to ordering details for a range of optional accessories to suit:

- Back to back extended fixing for timber doors
- Back to back fixing for glass doors
- Disc fixing for timber doors
- Disc fixing for glass doors
- Concealed fixing for timber doors

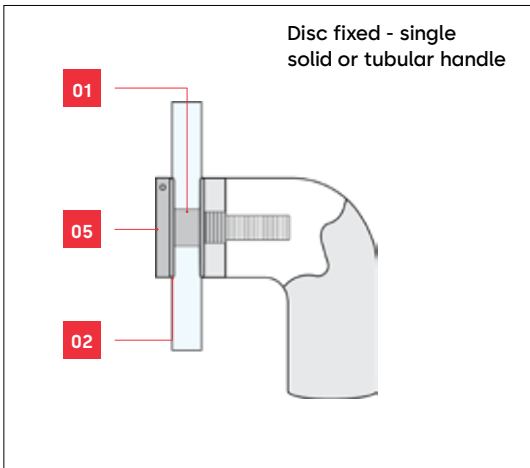
Fixing options



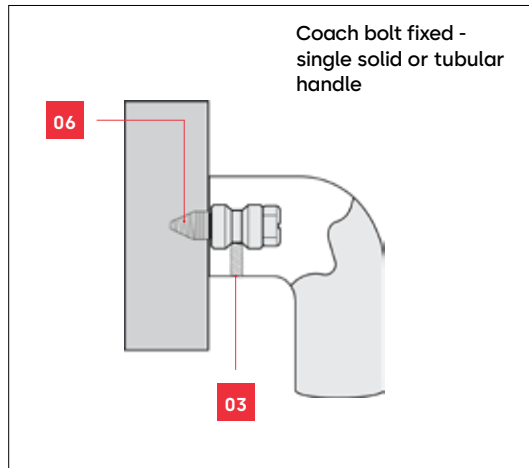
GD FIX - glass doors



TM FIX - timber or metal doors



D FIX - glass, metal or timber doors



C FIX - timber doors only

Note

Nylon spacers and washers are included with handle for glass door fixing option.

Legend

- 01 Spacer
- 02 Washer
- 03 Grub Screw
- 04 Bolt
- 05 Disc
- 06 Coach Bolt

TIMBER DOOR FIXING

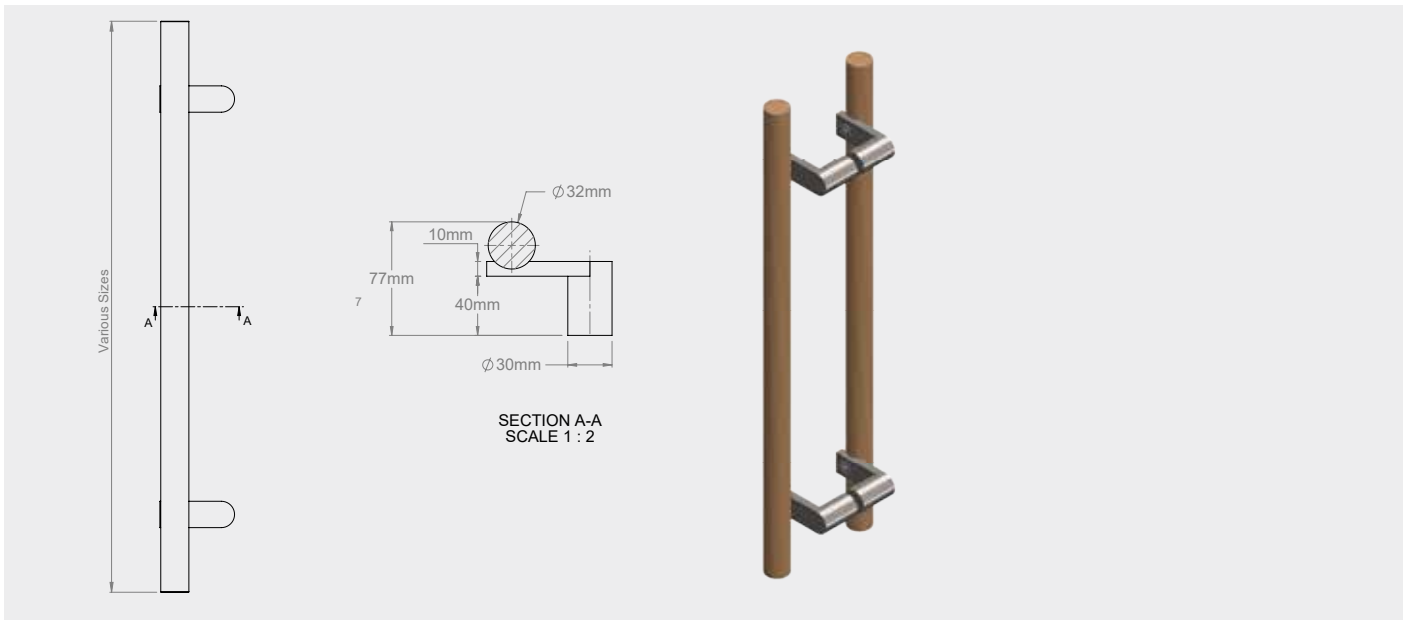
Material Size	Bolt Size
14mm Ø	5mm
16mm Ø	5mm
19mm Ø	8mm
25mm Ø	8mm
32mm Ø	8mm

METAL DOOR FIXING

Material Size	Bolt Size
14mm Ø	5mm
16mm Ø	5mm
19mm Ø	8mm
25mm Ø	8mm
32mm Ø	8mm

GLASS DOOR FIXING

Material Size	Bolt Size
14mm Ø	12mm Ø
16mm Ø	12mm Ø
19mm Ø	12mm Ø
25mm Ø	12mm Ø
32mm Ø	12mm Ø



8570 Offset Timber dimensions

Ordering details

Item	Article Number	Description	Diameter	Projection	Overall Length	Fixing Centres
BACK TO BACK FIXING						
B8570/S/32/SSS	9458573895141	B8570/S/32 OA 600 CTC 440 SSS	32mm	77mm	600	440
B8570/S/32/PSS	9458573895142	B8570/S/32 OA 600 CTC 440 PSS	32mm	77mm	600	440
B8570/S/32 SF	9400000016497	B8570/S/32 OA 600 CTC 440 SF	32mm	77mm	600	440
B8570/O/32/SSS	9458576085141	B8570/O/32 OA 1000 CTC 840 SSS	32mm	77mm	1000	840
B8570/O/32/PSS	9458576085142	B8570/O/32 OA 1000 CTC 840 PSS	32mm	77mm	1000	840
B8570/O/32 SF	9400000016496	B8570/O/32 OA 1000 CTC 840 SF	32mm	77mm	1000	840
B8570/M/32/SSS	9458576895141	B8570/M/32 OA 1200 CTC 1040 SSS	32mm	77mm	1200	1040
B8570/M/32/PSS	9458576895142	B8570/M/32 OA 1200 CTC 1040 PSS	32mm	77mm	1200	1040
B8570/M/32 SF	9400000016495	B8570/M/32 OA 1200 CTC 1040 SF	32mm	77mm	1200	1040
D8570/S/32/SSS	9458573895341	D8570/S/32 OA 600 CTC 440 SSS	32mm	77mm	600	440
D8570/S/32/PSS	9458573895342	D8570/S/32 OA 600 CTC 440 PSS	32mm	77mm	600	440
D8570/S/32 SF	9400000016546	D8570/S/32 OA 600 CTC 440 SF	32mm	77mm	600	440
D8570/O/32/SSS	9458576085341	D8570/O/32 OA 1000 CTC 840 SSS	32mm	77mm	1000	840
D8570/O/32/PSS	9458576085342	D8570/O/32 OA 1000 CTC 840 PSS	32mm	77mm	1000	840
D8570/O/32 SF	9400000016545	D8570/O/32 OA 1000 CTC 840 SF	32mm	77mm	1000	840
D8570/M/32/SSS	9458576895341	D8570/M/32 OA 1200 CTC 1040 SSS	32mm	77mm	1200	1040
D8570/M/32/PSS	9458576895342	D8570/M/32 OA 1200 CTC 1040 PSS	32mm	77mm	1200	1040
D8570/M/32 SF	9400000016544	D8570/M/32 OA 1200 CTC 1040 SF	32mm	77mm	1200	1040
C8570/S/32/SSS	9458573895241	C8570/S/32 OA 600 CTC 440 SSS	32mm	77mm	600	440
C8570/S/32/PSS	9458573895242	C8570/S/32 OA 600 CTC 440 PSS	32mm	77mm	600	440
C8570/S/32 SF	9400000016518	C8570/S/32 OA 600 CTC 440 SF	32mm	77mm	600	440
C8570/O/32/SSS	9458576085241	C8570/O/32 OA 1000 CTC 840 SSS	32mm	77mm	1000	840
C8570/O/32/PSS	9458576085242	C8570/O/32 OA 1000 CTC 840 PSS	32mm	77mm	1000	840
C8570/O/32 SF	9400000016517	C8570/O/32 OA 1000 CTC 840 SF	32mm	77mm	1000	840
C8570/M/32/SSS	9458576895241	C8570/M/32 OA 1200 CTC 1040 SSS	32mm	77mm	1200	1040
C8570/M/32/PSS	9458576895242	C8570/M/32 OA 1200 CTC 1040 PSS	32mm	77mm	1200	1040
C8570/M/32 SF	9400000016516	C8570/M/32 OA 1200 CTC 1040 SF	32mm	77mm	1200	1040
ACCESSORIES - EXTENDED FIXINGS - sold as a pair						
TM/M8/50	9459508058200	M8/50 FERULE HEAD BOLT TM FIX	<p>Note: When ordering extended fixings please use the below formula.</p> <p>Door thickness + 20mm for the Ferule + 10mm in to the other handle = round up to the nearest size offered.</p> <p>• For single sided internal fixing, a disc fixing kit is required</p>			
TM/M8/75	9459758078200	M8/75 FERULE HEAD BOLT TM FIX				
TM/M8/90	9400000012887	M8/90 BOLT & 16MM FERULE TM FIX				
TM/M8/100	9400000012888	M8/100 BOLT & 16MM FERULE TM FIX				
TM/M8/110	9459118118200	M8/110 BOLT & 16MM FERULE TM FIX				
TM/M8/120	9459128128200	M8/120 BOLT & 16MM FERULE TM FIX				
TM/M8/130	9459138138200	M8/130 BOLT & 16MM FERULE TM FIX				
TM/M8/150	9459158158200	M8/150 BOLT & 16MM FERULE TM FIX				

Ordering details

Item	Article Number	Description	Diameter	Projection	Overall Length	Fixing Centres
ACCESSORIES - GLASS FIXINGS - sold as a pair						
GF32/M8/50 RND	9459503288301	32 DIA RND GLASS FIXING PAIRS				
ACCESSORIES - GLASS FIXINGS - sold as a pair						
GDF32/M8/50 PSS	9459503288102	32MM GLASS DISK FIX PSS PAIR M8X50MM				
GDF32/M8/50 SSS	9459503288101	32MM GLASS DISK FIX SSS PAIR M8X50MM				

Any questions? We would be happy to advise you.

dormakaba Australia | info.au@dormakaba.com | T 1800 675 411 | www.dormakaba.com.au
dormakaba New Zealand | info.nz@dormakaba.com | T 0800 436 762 | www.dormakaba.co.nz